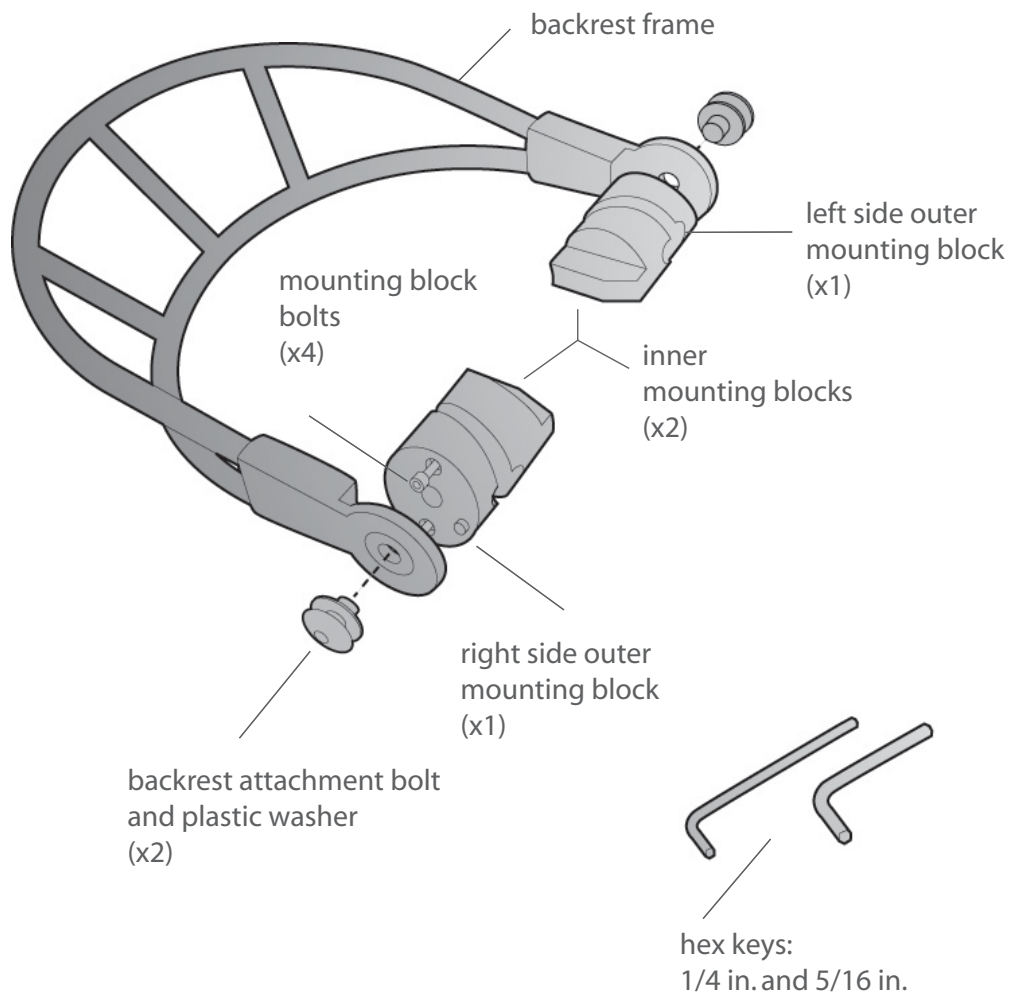


# 1

## get ready

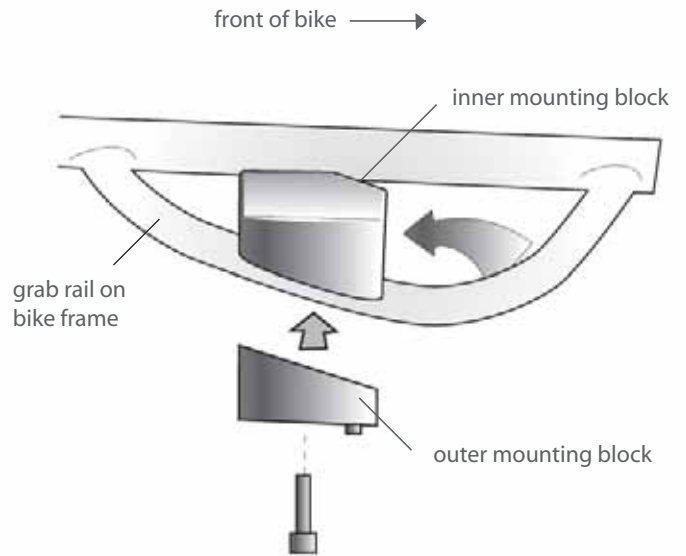
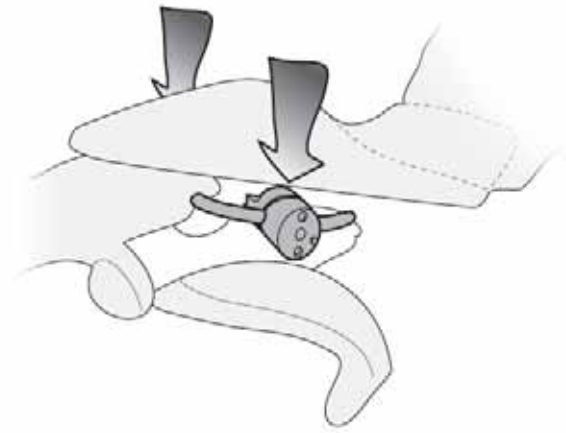
- ❖ Thank you and congratulations on your purchase of the MONSTRACK backrest.
- ❖ Check the contents and make sure you have everything you need. Look over the guide to familiarize yourself with the installation and adjustment process. After you have done that it will only be 5 minutes or so to have everything set up!



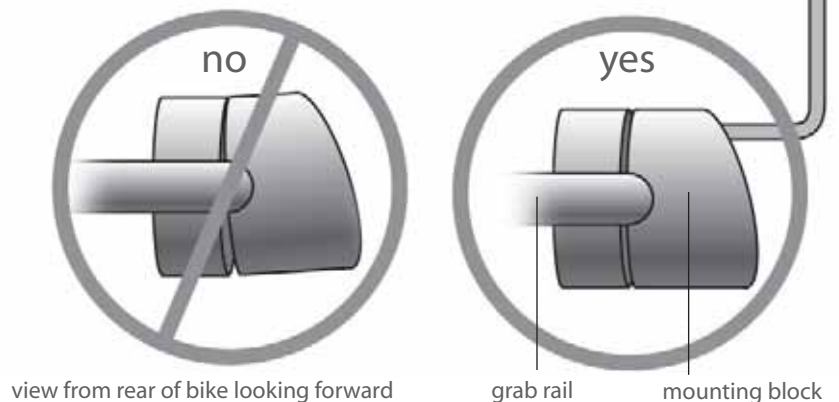
# 2

## installing the mounting blocks

- ❖ The MONSTRACK backrest attaches solidly to the bike via mounting block assemblies on the left and right hand passenger grab rails. After these blocks are installed the backrest frame can be configured as desired, or easily removed; leaving the blocks in place for quick attachment later.
- ❖ First clean the grab rail where the mounting blocks will install to help minimize any particles that may mar the finish of the frame.
- ❖ Next, slip the inner mounting block into the inside of the right grab rail.
- ❖ Now, put the right outer block in position and bolt it to the inner block using the supplied 1/4 hex key. Do not over tighten. Note: to aid in identification look for either "right" or "left" stamped into the block face.
- ❖ Repeat for the left hand mounting block assembly.



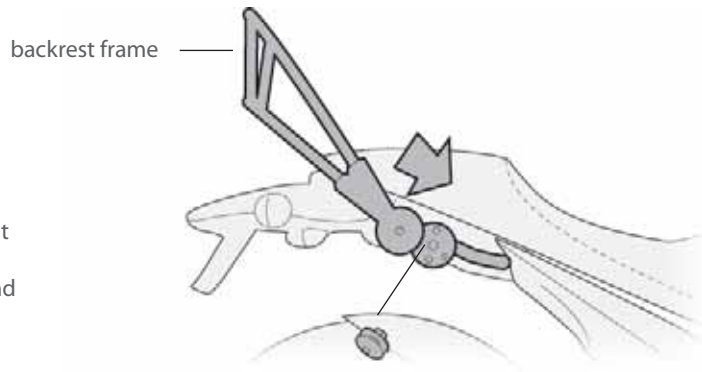
Note: make sure to tighten the top and bottom screws of the mounting block equally. There should be an equal gap - approximately 3mm or .1 in.



# 3

## configure the backrest frame... and ride

- ❖ After installing the mounting blocks, simply slide the backrest frame on top of the block faces and use the included 5/16 in. hex key to lock the back into position. It may be easier if you thread the first bolt only part way with your fingers before attempting to thread the second bolt.
- ❖ The backrest frame can be configured in either the "low", "high", or "off" positions.
- ❖ You are finished installing the MONSTRACK backrest! Ride safely and enjoy.



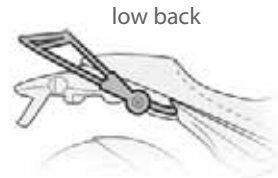
backrest attachment bolt and plastic washer- one set per side



© MONSTRACK 2007



high back



low back



no back